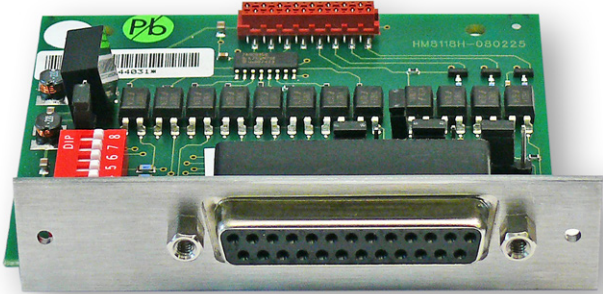


# H0118

## Binning Interface

### User Manual



5800490502

## Important hints

### Security

This instrument has been designed and tested in accordance with IEC Publication 1010-1, Safety requirements for electrical equipment for measurement, control, and laboratory use. It corresponds as well to the CENELEC regulations EN 61010-1. All case and chassis parts are connected to the safety earth conductor. Corresponding to Safety Class 1 regulations (three-conductor AC power cable).

Do not disconnect the safety ground either inside or outside of the instrument!

The instrument must be disconnected and secured against unintentional operation, if you suppose that safe operation is not possible.

This may occur:

- if the instrument shows visible damage,
- if the instrument has loose parts.
- if the instrument does not function,
- after long storage under unfavourable circumstances (e.g. outdoors or in moist environments).

When removing or replacing the metal case, the instrument must be completely disconnected from the mains supply.

## Warranty and Repair

Our instruments are subject to strict quality controls. Prior to leaving the manufacturing site, each instrument undergoes a 10-hour burn-in test. This is followed by extensive functional quality testing to examine all operating modes and to guarantee compliance with the specified technical data. The testing is performed with testing equipment that is calibrated to national standards. The statutory warranty provisions shall be governed by the laws of the country in which the product was purchased. In case of any complaints, please contact your supplier.



**The product may only be opened by authorized and qualified personnel. Prior to working on the product or before the product is opened, it must be disconnected from the AC supply network. Otherwise, personnel will be exposed to the risk of an electric shock.**

Any adjustments, replacements of parts, maintenance and repair may be carried out only by authorized technical personnel. Only original parts may be used for replacing parts relevant to safety (e.g. power switches, power transformers, fuses). A safety test must always be performed after parts relevant to safety have been replaced (visual inspection, PE conductor test, insulation resistance measurement, leakage current measurement, functional test). This helps ensure the continued safety of the product.

## Binning Interface HO118

### Introduction

The binning interface for the HM8118 allows the unit to operate with external hardware, which will physically sort components according to the measurement of the HM8118. Data lines for eight sorting BINs are provided, as well as control lines (ALARM, INDEX, EOM,TRIG).

### Specification

#### Output signal:

Negative TRUE, open collector, opto-isolated, selectable pull-ups.

#### Measurement modes:

While the HM8118 is used for binning, the number of measurement modes is limited to the necessary modes for characterizing components.

These modes can be selected:

- R-Q: Resistance-Quality factor
- C-D: Capacitance-Dissipation factor
- L-Q: Inductance-Quality factor

#### Decision output:

- pass BINs:  
BIN 0...5 for primary parameter
- fail BINs:  
BIN 6 for secondary parameter  
BIN 7 for general failure BIN
- Maximum current is 15 mA for output voltage of 1 V.

#### Index:

Analog measurement complete

#### Measurement complete:

Full measurement complete

#### Alarm:

Notification that an error was detected

#### External trigger:

Opto-isolated, selectable pull-up, pulse width > 10µs

The component sorting option is especially useful for production testing, component matching or other tests where similar components must be

compared to each others. The binning feature is an automatic process which simplifies the sorting eliminating the need to compare manually the parameters. A maximum of 9 binning configurations can be set using the store/recall feature. Binning configurations can also be operated using the remote interface. The HM8118 can sort components into as many as 8 separate BINs: six pass BINs, a secondary parameter BIN and a general failure BIN. At any given time only one BIN is activated.

The following table shows details for each BIN.

BIN	TYPE	Description
0..5	Pass BIN	Output BIN is activated when the measured value is within the user defined limit of the BIN. Sorting starts with BIN 0. If the value is outside the limits of BIN 0 the sorting is performed with the limits of BIN 1. This sequential process repeats, until the limits of BIN #5 are exceeded. If the value isn't within the limits of any enabled BINs the general failure BIN is activated.
6	Secondary parameter failure BIN	This BIN is used, if the primary value would be inside the BIN 0...5 range and only the secondary parameter exceeds the limit of BIN 6
7	General failure BIN	This BIN output is activated when the sorting doesn't fall into any of the 7 first BINs.

## Setup of the BINs

The HM8118 must be in manual function mode. Select the function corresponding to the parameter to be sorted. All functions as mentioned above in section „Measurement modes“ can be used. To enter binning parameters press the MENU key,

then select the BIN option. In order to get access to the binning menu the handler interface board must be present.

BINNING:	ON
BIN NUMBER:	0
BIN:	OPEN
NOMINAL :	100.0
LOW LIMIT:	-4.0 %
HIGH LIMIT:	+5.0 %

### BINNING ON/OFF

- ON: the binning feature is enabled.
- OFF: the binning feature is disabled.

### BIN NUMBER

- Selection of the BIN number
- BIN 0 to BIN 5 correspond to the primary parameter pass BINs.
- BIN 6 corresponds to the secondary parameter failure BIN.
- There is no menu for the general failure BIN 7.

### BIN OPEN or CLOSED

- OPEN: the corresponding BIN is enabled.
- CLOSED: the BIN is disabled.
- At least the first BIN 0 must be activated.

### NOMINAL value of binning

- Enter the nominal value with the numerical keys and the unit entry key.
- The new nominal value including units will be displayed. There is no nominal value for BIN 6.

### LOW LIMIT (Percentage of the low limit)

- There is only one limit for BIN 6, which is an absolute limit not a percentage.

### HIGH LIMIT (Percentage of the high limit)

- The low limit is automatically adjusted to have a symmetrical low limit.
- If the limit must be asymmetrical, the high limit must be entered first, followed by the low limit.
- For symmetrical limits, enter only the high limit, the lower limit will be the negative of the upper limit.

## Examples

### PASS/FAIL for a resistor (1 k $\Omega$ $\pm$ 1%, Q < 0.0001)

1. Measure the resistor in automatic ranging mode, select RQ function.
2. Press AUTO/HOLD key to freeze the range. Press MENU and BIN. Turn on the binning feature.
3. Enter the nominal value (1.000 k) and 1.0 for the high limit value for BIN 0. Negative limit is automatically set to -1%. Open the BIN.
4. Select BIN 6 and enter the limit (0.0001). Open the BIN.

Make sure no other BINs are open.

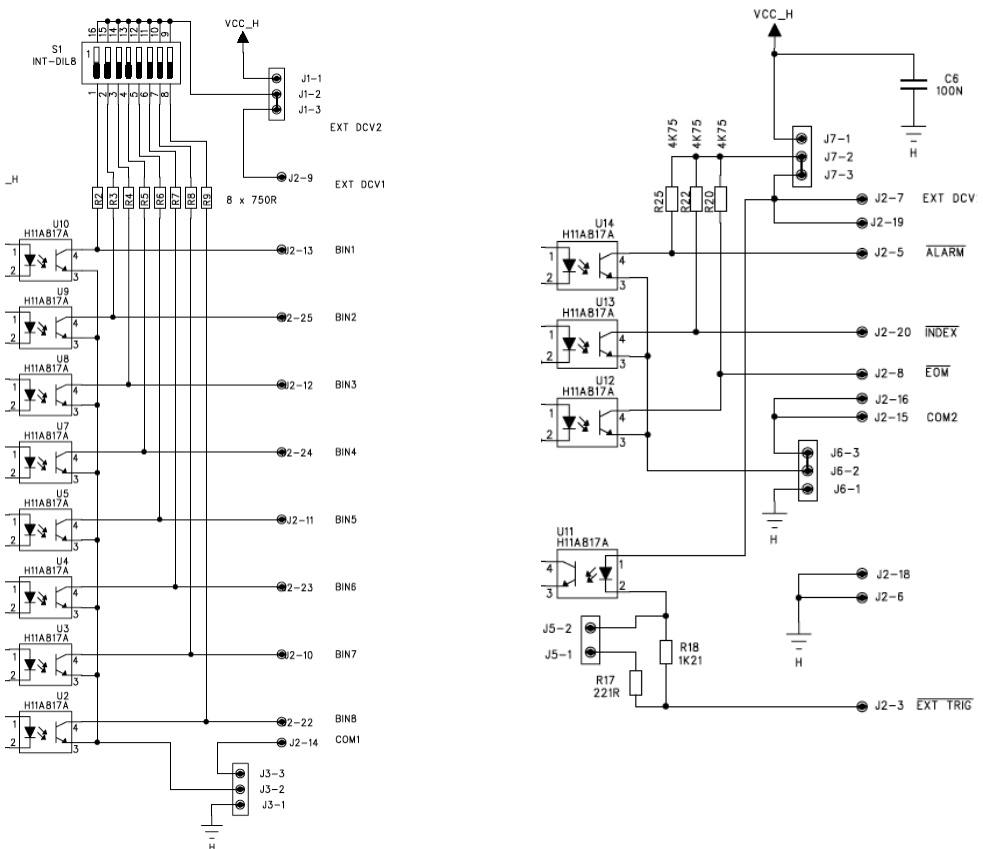
- Parts that pass fall into BIN 0.
- Parts that fail for primary parameter fall into BIN 7.
- Parts that fail for secondary parameter fall into BIN 6.

## Pin assignment

Pin No.	Signal Name	Description
1 2 4 6 21 17 18	COM COM COM COM COM COM COM	Common voltage
3	/EXT TRIG	External trigger: HM8118 is triggered on the falling edge of a pulse applied to this pin, when the trigger mode is set to External.
5	/ALARM	This signal is asserted when an error occurs (SRAM failure, code checksum error, calibration error, configuration not valid or ADC error)
7 19	EXT DCV2 EXT DCV2	External DC Voltage 2: DC voltage supply pin for DC isolated open collector outputs (/ALARM, /INDEX, /EOM). Maximum voltage is 30V, minimum 5V. DC Voltage supply pin for DC isolated LED input (/EXT TRIG).
8	/EOM	End of Measurement: This signal is asserted when the measurement data and comparison results are valid.
9	EXT DCV1	External DC Voltage 1: DC voltage supply pin for DC isolated open collector outputs (BIN0 to BIN7). Maximum voltage is 30V, minimum 5 V.
10	BIN7	Secondary parameter failure BIN
11	BIN5	Pass BIN #5
12	BIN3	Pass BIN #3
13	BIN1	Pass BIN #1
14	COM1	Common of BIN output opto-coupler emitters if jumper J3 [2-3] is present. Left open if emitters are connected to internal supply voltage [J3 [1-2] present]
15 16	COM2 COM2	Common of control lines output opto-coupler emitters if jumper J6 [2-3] is present. Left open if emitters are connected to internal supply voltage [J6 [1-2] present]
20	\INDEX	Index: This signal is asserted when an analog measurement is complete and the HM8118 is ready for next DUT to be connected to the unknown terminals. The measurement data, however, is not valid until the line /EOM is asserted.
22	BIN8	General failure BIN
23	BIN6	Pass BIN #6
24	BIN4	Pass BIN #4
25	BIN2	Pass BIN #2

## Jumper assignment

Name	Location	Description
J1	1-2 2-3	Internal pull-ups are connected to internal isolated 5V power supply. Power supply common is connected to COM pin Internal pull-ups (750 Ω) for bin outputs are connected to pin 9 (EXT DCV1)
S1		Pull-up enable. Enable or disable BIN pull-up
J3	1-2 2-3	BIN output opto-coupler emitters are connected to COM signal BIN output opto-coupler emitters are connected to COM1 signal
J5	Present not present	Limiting resistor of 190 Ω for /EXT TRIG input Limiting resistor of 1.2 kΩ for /EXT TRIG input
J6	1-2 2-3	Control lines output opto-coupler emitters are connected to COM signal Control lines output opto-coupler emitters are connected to COM2 signal
J7	1-2 2-3	Internal pull-ups (4k75) for control lines outputs are connected to EXT DCV2 signal. Internal pull-ups are connected to internal isolated 5V power supply.



## Connector for testing

### D-SUB 25 male

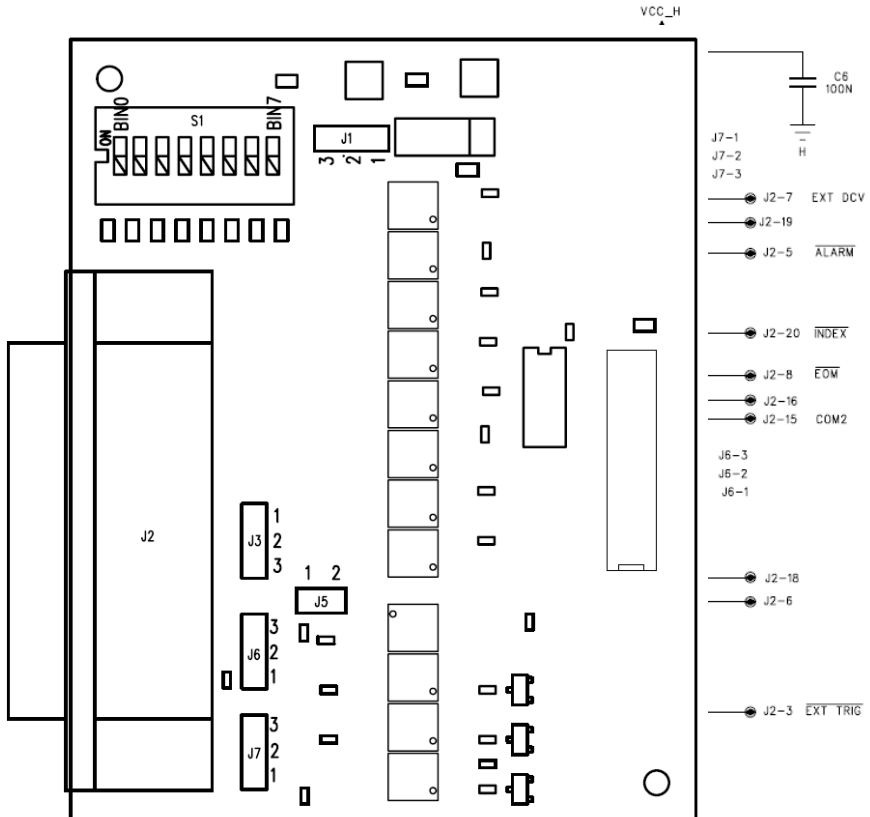
- Pin 13: Resistor 1k to cathode green LED
- Pin 25: Resistor 1k to cathode green LED
- Pin 10: Resistor 1k to cathode red LED
- Pin 22: Resistor 1k to cathode red LED
- Pin 9: Connected to the anodes of the four LEDs
- Pin 3: Push button connected to pin 3

- pass BIN 1
- pass BIN 2
- secondary parameter fall BIN
- general fall BIN
- start measurement

### Jumpers:

- J7: 1-2-3 shorted together
- J6: 1-2
- J5: 1-2
- J3: 1-2
- J1: 1-3

Instrument: select external trigger, manual function, manual ranging for better speed



© 2015 Rohde & Schwarz GmbH & Co. KG

Mühlendorfstr. 15, 81671 München, Germany

Phone: +49 89 41 29 - 0

Fax: +49 89 41 29 12 164

E-mail: [info@rohde-schwarz.com](mailto:info@rohde-schwarz.com)

Internet: [www.rohde-schwarz.com](http://www.rohde-schwarz.com)

Customer Support: [www.customersupport.rohde-schwarz.com](http://www.customersupport.rohde-schwarz.com)

Service: [www.service.rohde-schwarz.com](http://www.service.rohde-schwarz.com)

Subject to change – Data without tolerance limits is not binding.

R&S® is a registered trademark of Rohde & Schwarz GmbH & Co. KG.

Trade names are trademarks of the owners.